

ITEC B751/B601

ITECOFFICE.CO.ZA

011 784 1146

The Office Solution
for a New Style of Business



Model shown with options.

Main Features

- > 75/60ppm Printing
- > 75opm Scanning
- > 7,600 Max. Paper Capacity
- > Polymerised Simitri Toner
- > Large Full-colour Control Panel
- > Flexible Communication
- > IPv6 Compatibility
- > Windows Vista Compatibility (XPS, DPWS)
- > Gigabit Ethernet
- > Enhanced Security
- > Universal Design Improvements



Take Your Business to the Cutting Edge



In today's business world, it's all about communication. Getting your point across quickly, securely and reliably has become central to the way business gets done. That's why you need the Iteco B751 and Iteco B601. Integrating speedy output time with robust security features and flexible networking in a powerful centre office machine, the new Iteco offers a unique solution to the most pressing demands for enterprises in any line of business. Add in the new styling of Iteco's 360-degree design philosophy and you've got a business partner that looks as smart as it works.

ITECO B751 / B601

Brilliant Answers in Black & White



01 Streamlined Data Handling



02 More Robust Security



03 Document Output



04 New Design



05 Ecology & Environment



The Centre of Your Office Communication

Keep communication flowing quickly, seamlessly, efficiently. The Itec B751 and Itec B601 offer a wide range of options to receive, store and distribute information anywhere in the world, right from the centre of your office.



► Communicate Smarter

Scanning data is just the beginning. Now you can send it anywhere in the world – even to multiple destinations – at the push of a button. Directly move data to networked PCs, public or private folders on the HDD and to e-mail addresses one at a time or to multiple destinations, via multiple formats, all from a single operation.

- > Multi-method Send
- > Scan to e-mail
- > Scan to FTP
- > Scan to SMB
- > Scan to WebDAV
- > Scan to Box
- > Scan to USB memory
- > TWAIN scan
- > IPv6, Gigabit Ethernet Compatible
- > XPS, DPWS Compatible



► Far-reaching Fax Operations

Starting with traditional high-speed fax, the Itec B751 and Itec B601 offer a wide range of fax functions that utilise your office infrastructure to lower costs. Internet and IP-fax send data via the Internet or local servers to completely eliminate transmission costs, while PC fax lets you send faxes from your PC. TSI Routing, meanwhile, automatically forwards fax transmissions from registered senders to a designated folder on the network or an e-mail address.

- > G3 Fax
- > Internet Fax
- > IP Fax
- > PC Fax
- > TSI Routing

► HDD Box Functions

A secure storage environment right in the main body's HDD, Itec's Box functions allow you to archive data and share or print as needed, while PageScope Box Operator enables management of data in the User Box from your desk. Additionally, bind printing combines files of different formats into a single file.

- > Bulletin Board Box
- > Polling Transmission Box
- > Memory Reception Box
- > Confidential Box
- > PageScope BOX Operator
- > Sharing Box
- > Personal Box
- > Secure Box
- > Bind Printing

► Advanced Data Transfer

Plug a storage device into the high-speed USB port located at the front of the device to directly print PDF, TIFF and XPS files or scan them directly to a storage device* without a PC or server. Furthermore, compatibility with gigabit Ethernet ensures that even large files are transmitted quickly and efficiently.

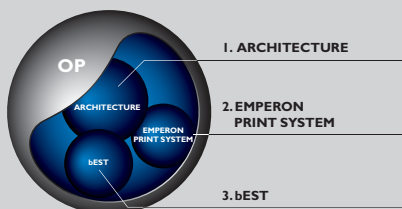
- > High-speed USB
- > Gigabit Ethernet compatibility
- > PageScope Direct Print*

*Windows only



► Required Options by Function

Functions	Required Options
Printer Functions	Image Controller IC-208
Box Functions	Hard Disk HD-510
Internet Fax Functions	Hard Disk HD-510 + Image Controller IC-208
IP Address Fax Functions	Hard Disk HD-510 + Fax Kit FK-502 + Image Controller IC-208
Pull Scan Functions	Hard Disk HD-510
Local Print from USB	Local Interface Kit EK-703 + Image Controller IC-208
XPS Scan / XPS Print	Hard Disk HD-510 + Image Controller IC-208



► The Power of New Open Platform

The exclusive open platform control system empowers your office to achieve its potential through increased productivity, security and connectivity. The OP consists of three interconnected systems, each of which provides a seamless consolidation of functions that enables Itec to work with greater flexibility. The Centralised Architecture integrates control of all functions, enabling more efficient operation, greater reliability, increased security, and more effective administrative oversight and accounting.

The Emperon Print System integrates output operation within a single intuitive interface, allowing users to better take advantage of all features. Finally, the Open Application Programming Interface makes our system far more flexible by greatly simplifying customisation and integration with third-party applications. Supporting the already powerful cross-functionality, our OP lays the groundwork for a seamless network environment that allows users to work at peak effectiveness.

Centralise the Protection of Data Assets

Keeping data safe without restricting access to authorised users is essential to ensuring your office is safely running at peak efficiency. Take the guesswork out of sensible security with Itec – a strong line of defence against intrusions that won't interfere with your workstyle.

User Authorisation

- A** Print, Scan, Fax
- B** All functions
- C** Scan only
- D** Print, Group Box, Personal Box

Secure Print

Input password
Receive document

Enter password
Send data

▷ A Wealth of Advanced Security Features

User authentication, encryption and password protection ensure sensitive data remaining secure without restricting authorised users. The result is a safe, secure work environment that allows users the freedom to get the job done.

Authentication Features
Protect your network from unauthorised access.

- > User authentication
- > Server authentication
- > Biometric / IC Card authentication
- > IP filtering
- > POP before SMTP

Encryption Features
Ensure that data stays secret from prying eyes.

- > SSL / TLS encrypted transmission
- > S / MIME
- > PDF encryption

HDD Protection Features
Defend data stored on Itec's HDD.

- > HDD password lock
- > HDD data encryption
- > HDD random erase format

Certified Safe

- Give your staff the tools to stay in control.
- > Secure print password protection
 - > Security log
 - > ISO 15408 (EAL3) certification (under review)

▷ Flexible Security for Each User

Thanks to biometric and IC card authorisation, ensuring network access security is a manageable task. Users can be identified by their unique finger veins or an IC card that grants access with a single touch.

Authentication type	Password	IC card	Biometric
Ease of use	Mid Users must go through the trouble of entering an ID and password. Administrators must also manually set passwords, making more work for administrators.	High ID / password are unnecessary. Able to use existing employee IC cards. Updating information is also easily manageable.	High By scanning each user's unique finger vein pattern, the Biometric Reader eliminates the need for passwords and ensures accurate identification.
Security level	Mid There is a risk of stolen and leaked passwords.	High Each user must have a card of their own. There is a risk of card loss or unauthorised card lending.	High Biometric authentication is one of the most secure methods, making it very safe.
Additional options	None	WT-504, AU-201, HD-510	WT-504, AU-101, HD-510

▷ Advanced Authentication

With Itec B751 / B601, administrators can fully customise access privileges to create the security environment that best suits their network. Individuals, workgroups and divisions can be given passwords and then assigned access permissions and usage limits for each function.

▷ HDD Data Protection

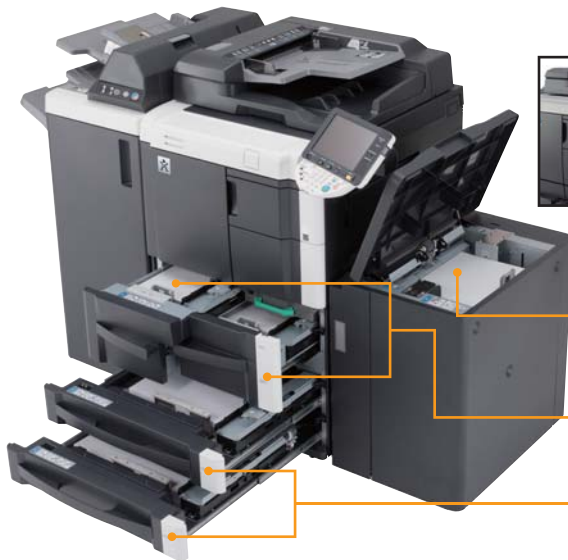
All data stored in the Itec B751 / B601 optional HDD can be encrypted (optional security kit SC-506 required), and the HDD itself can be further protected with a password lock to prevent unauthorised access, even if the HDD is physically removed. When you are ready to dispose of the Itec B751 / B601, the HDD can be completely erased and overwritten with random data, permanently destroying the contents.

The Centre of Office Productivity

As the centrepiece of your office's data flow, the Itec B75 I / Itec B60 I offers an unrivalled combination of high-speed output and exceptional image quality. Meanwhile, simultaneous processing of multiple jobs and a large paper capacity mean less worrying about downtime and more efficiency for every user on the network.

▷ Scanning Speed

The convenient ADF scans single-sided or double-sided documents at up to 75opm, and even enables documents of different sizes to be combined into a single file. The precision of the feeding mechanism and anti-static measures help ensure worry-free scans each and every time.



Multi Bypass Tray
(100 sheets, A3-B6)

Large Capacity Unit LU-406
(4,000 sheets, A4)

A4 Tray x 2
(Left, 1,500 sheets; Right, 1,000 sheets)

Universal Tray (500 sheets, A3-A5)

▷ Diverse Finishing Functions

Folding, stapling and hole punching are essential to producing documents with a high-quality look. The optional finishers for the Itec B75 I and Itec B60 I handle these tasks with ease, while also enabling sorting and grouping. And with the FS-610 attached, you can saddle stitch booklets of up to 80 pages.



▷ Big Paper Capacity for Big Jobs

Two 500-sheet universal trays and a 100-sheet bypass tray are just the beginning. Optional trays boost the paper capacity of the Itec B75 I and Itec B60 I to a maximum of 7,600 sheets – enough to handle even the largest jobs. And to further reduce downtime, paper and toner can be replaced on the fly.

▷ Fast, High-quality Output

Offering speedy output of 75ppm and 60ppm respectively, the Itec B75 I and Itec B60 I equip your office with the tools you need to satisfy the demands of even the most rigorous work environments. Toner can be replaced while printing to reduce downtime. And with copy resolution of 1200dpi equivalent x 600dpi and digital smoothing for 2400dpi equivalent x 600dpi print resolution, speed and quality are at the forefront.



▷ Where Quality Begins

The exclusive Simitri polymerised toner uses smaller, more uniform particles than conventional toner, resulting in sharper text lines and finer gradations. Simitri toner also has a lower fixing temperature, enabling faster output, lower energy use, and reduced paper curling.

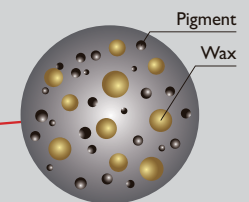


Pulverised toner



Simitri Toner

Smaller uniform particles
for better print quality



Simitri

At the Centre of Your Business Style

The innovations of the Itec B751 and Itec B601 aren't just on the inside. Modern styling and excellent functionality are also hallmarks that make Itec B751/601 stand out from the crowd.



▷ Sleek Styling from Any Angle

The layout of every office is different. That's why the Itec B751 and Itec B601 was designed to look great from any angle. But looks aren't everything: high-visibility LEDs, contrasting black and white panels and the ability to fully hide cables and connectors ensure maximum ease of use and productivity in any office environment.

▷ Easy-view, Oversized Panel

A large 8.5-inch touch panel with 800 x 480 full colour display lets you navigate to files and preview before printing, making document retrieval simple and intuitive. The panel also features an enlarged text mode and can be set to the height and angle that best suits each user in the office.



▷ Designed for Everybody

Universal access is a must for every product we design, the Itec B751 and Itec B601 is no exception. Toner and paper trays can be easily accessed from the front with either an overhand or underhand grip – in fact, all moving parts can be operated with a single hand. Furthermore, documents stand out clearly against the high contrast colour scheme to help reduce forgotten retrieval.



Centred on the Environment

Environmental concerns don't take a back seat to performance in the Itec B751 and Itec B601. Both the global environment and your office environment are at centre stage, leading to innovations in resource conservation, responsible use of materials and reduced emissions.

▷ Energy Star



The Itec B751 and Itec B601 comply with the International Energy Star Program's stringent guidelines for reduced energy consumption and improved efficiency.

▷ Blue Angel



The Itec B751 and Itec B601 are compliant with Blue Angel guidelines for efficiency and environmental responsibility.

▷ RoHS Compliance

RoHS (Reduction of Hazardous Substances) rules prohibit certain materials from being used during the production of electrical and electronic components. The manufacturer will comply with RoHS guidelines before the EU deadline by refraining from the use of lead, mercury, cadmium, hexavalent chromium PBB and PBDE.

▷ WEEE Compliance

The Itec B751 and Itec B601 will be fully compliant with WEEE (Waste Electrical and Electronic Equipment) regulations, ensuring that all parts and components are properly disposed of or recycled.

▷ Energy Conservation

The lower fixing temperature of Simitri toner greatly reduces energy consumption compared to conventional fixing. In addition, the Low Power and Sleep modes use significantly less power, resulting in lower energy costs and less waste.

▷ Emissions reduction

Polymerised toner produces fewer emissions than pulverised toner, with a total reduction of up to 40% for NOx, SOx and CO2. In addition, the production of every bizhub device has been optimised to reduce overall emissions.